

# THREE-QUARTER CAROUSEL SETS

Three-quarter carousel sets with either white or grey trays to suit 800 or 900 mm corner cabinets.

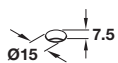
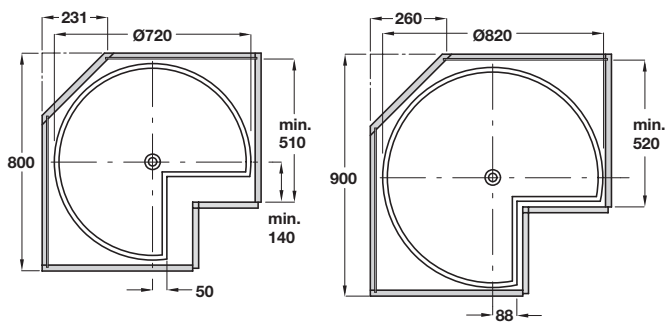


White trays



Grey trays

## Three-quarter carousel sets



Upper and lower drilling diagram

- > Suitable for 800 x 800 or 900 x 900 mm cabinets
- > Spindle height: 667-713 mm
- > For fitting in cabinets with hinged doors
- > Shelves swivel together and not independently of each other
- > Set includes:
  - 2x Three-quarter circle carousel shelves, white or grey plastic
  - 1x Fitting set comprising spindle, vertically adjustable from 667 to 713 mm, upper and lower fittings, shelf bearings and brake mechanism
- > Fittings attach the spindle to the cabinet at the top and base
- > Chrome-plated steel spindle, white or grey plastic trays, shelf bearings and brake mechanism
- > Order qty: 1 pc

	Corner unit 800	Corner unit 900	Fixings included
--	-----------------	-----------------	------------------

For cabinet width	800 x 800 mm	900 x 900 mm
White	541.41.711	541.41.712
Grey	541.41.511	541.41.512