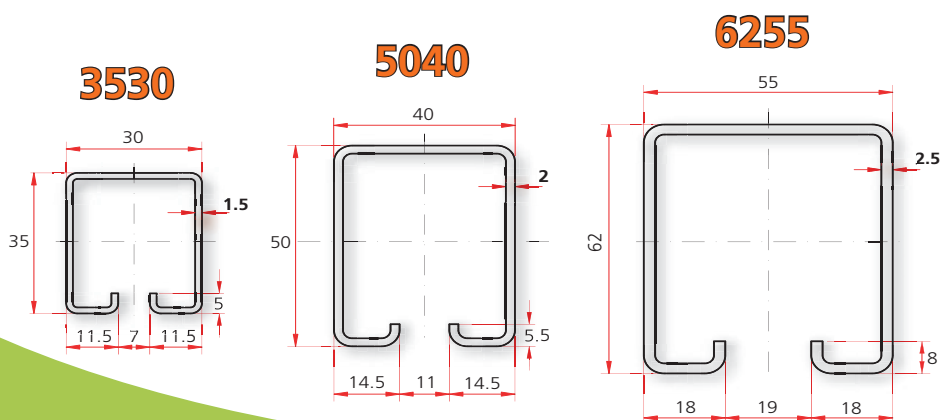


Door accessories for straight sliding doors

- **all accessories in one set**
- **jointing brackets are included**
- **enables gain of time for the order preparation**
- **in accordance with the European standard EN 1527**



the tracks in 2m, 3m and 4m lengths make transport and mounting easier



The Manton warranty applies also on this range (tracks + sets).

SET for doors up to 80 kg

Comprising:

- 2 hangers 235A (top fixing) equipped with 2 steel wheels mounted on needle roller bearings
- 2 plates 36, top fixing.
- 6 brackets 3531
- 1 jointing bracket 3531 MC
- 7 angle plates 3533
- 2 ornamental caps 3540
- 2 bottom guides 1102
- 2 stops 1086
- 1 handle 1298

3530 GV

3530/200

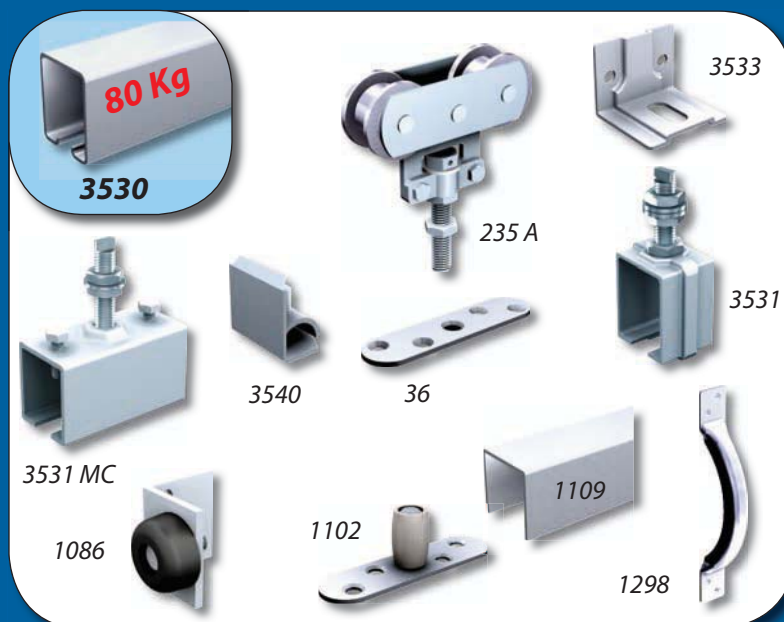
Track 3530. Length: 2 m.

3530/300

Track 3530. Length: 3 m.

1109/200

U-profile 1109. Length: 2 m.



SET for doors up to 150 kg

Comprising:

- 2 hangers 255A (top fixing) equipped with 2 steel wheels mounted on needle roller bearings
- 2 plates 56, top fixing
- 8 brackets 5041
- 1 jointing bracket 5041 MC
- 9 angles 5043
- 2 ornamental caps 5050
- 2 bottom guides 1099
- 2 stops 2091
- 1 handle 1298

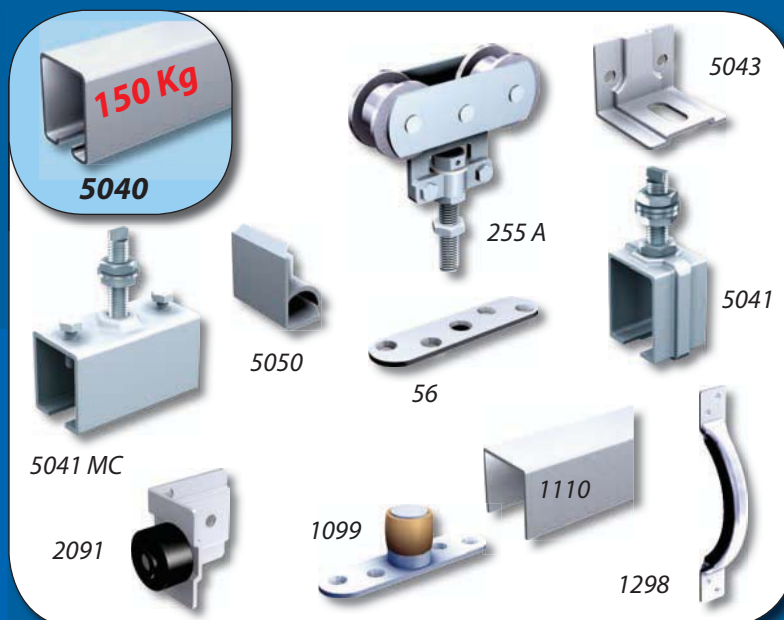
5040 GV

5040/300

Track 5040. Length: 3 m.

1110/300

U-profile 1110. Length: 3 m.



SET for doors up to 300 kg

Comprising.:

- 2 hangers 265A (top fixing) equipped with 2 steel wheels mounted on needle roller bearings
- 2 plates 66. Top fixing
- 12 brackets 6256
- 1 jointing bracket 6256 MC
- 13 angle plates 6258
- 2 ornamental caps 6265
- 2 bottom guides 1101
- 2 stops 2094
- 1 handle 1297

6255 GV

6255/300

Track 6255. Length : 3 m.

6255/400

Track 6255. Length : 4 m.

1110/400

U-profile 1110. Length : 4 m.

