

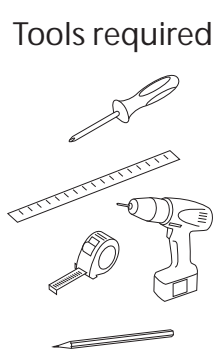
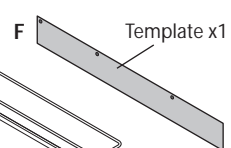
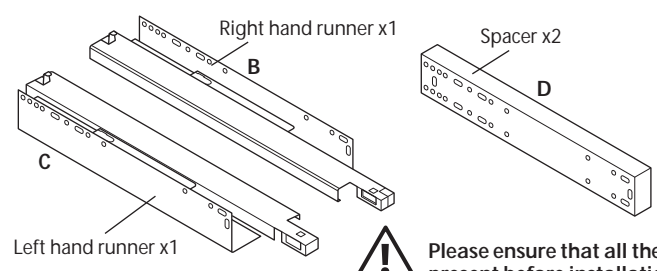
INDIVIDUAL PULL- OUT PLUS - 800/900/1000mm (IP2IP800/900/1000)

Assembly and fitting instructions



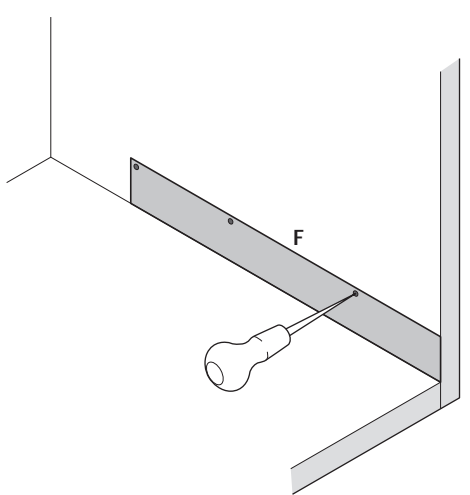
! IMPORTANT - The unit has a maximum loading limit of 25kg. All fixings supplied must be used for installation.

Parts **A**  x10 3.5 x 40mm countersunk screw

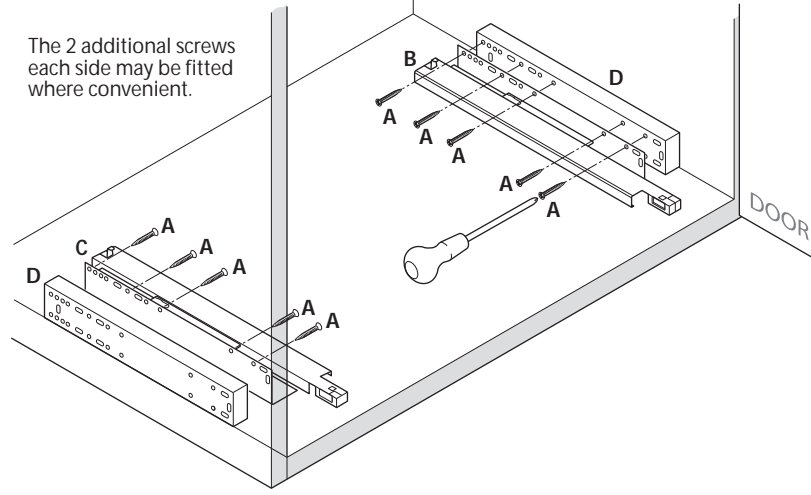


! Please ensure that all the above fittings are present before installation begins.

1 Use template to mark screw positions for left and right hand runners.

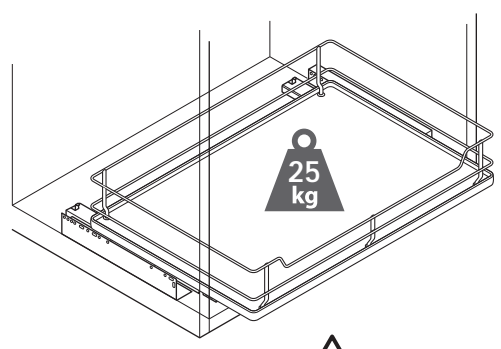
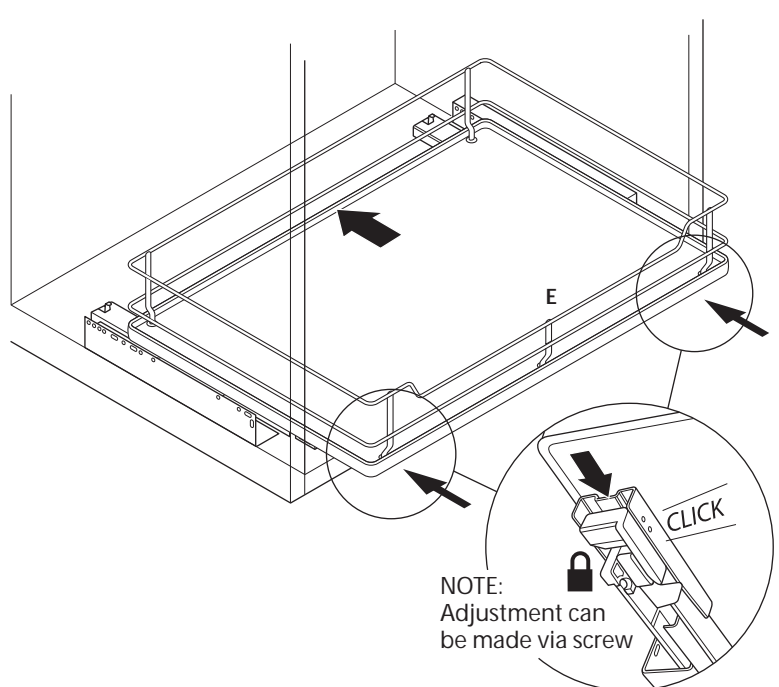


2 Secure runners to cabinet using 5 screws each side, using the spacers provided as shown.



The 2 additional screws each side may be fitted where convenient.

3 Slide the tray along the runners until it locates on the rear stops and locks on the front clips.



! IMPORTANT - The unit has a maximum loading limit of 25kg.