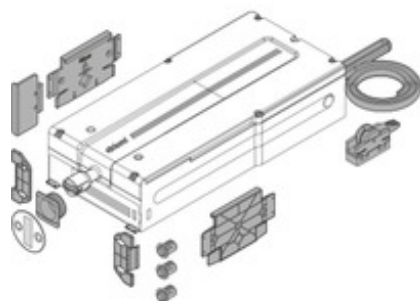


Product details

SERVO-DRIVE flex drive unit for refrigerators, freezers and dishwashers



Part number	Z10C500A
Item number	04784397
Colour / finish	R7035 light grey
Packaging quantity	1 / 10
Weight per 1,000 Pcs in kg	1,377.39
EAN code	9009494090376
UPC code	

Technical attributes

Attribute	Value
Type	Drive unit
Application	for refrigerators, freezers and dishwashers
Colour / finish	RAL 7035 light grey
Length	279
Width	130
Height	59
Overall length (incl. head)	316
Fixing method	to slip-on
Trigger type	Wireless switch or by pushing
Slide stroke	46.5
Hold time	2.3 seconds
Power connection	Piercing (metal spikes)
nominal voltage	24
type of current	direct current
Protection category	IP20
Batch label	Yes
Cable excess length	855
Item package	Set with drive unit and assembly accessories