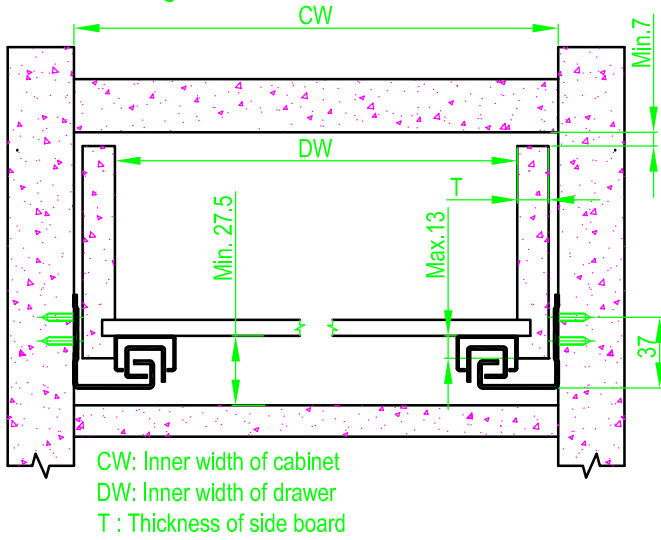


# Installation Instruction of Full-extension Concealed Slide with Synchronized System

Loading Capacity: 30 KG

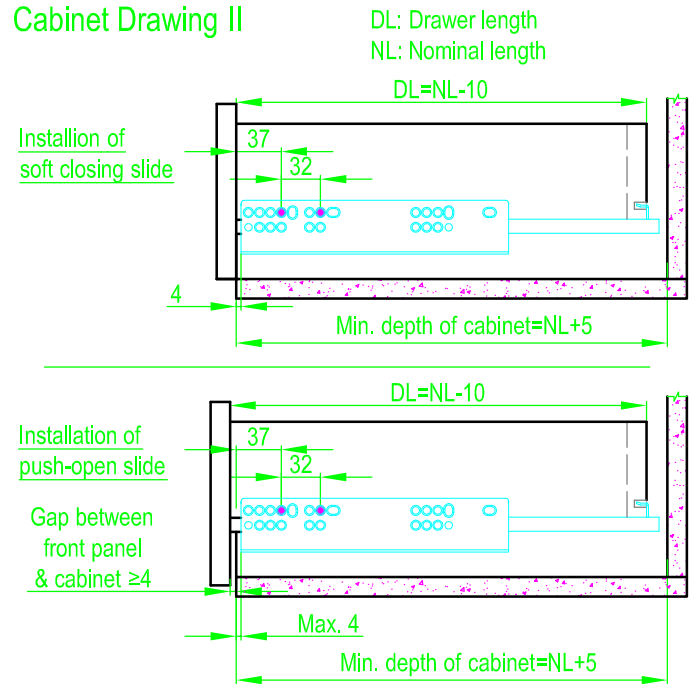
Side Board Thickness of drawer: ≤16, 18 mm

## Cabinet Drawing I

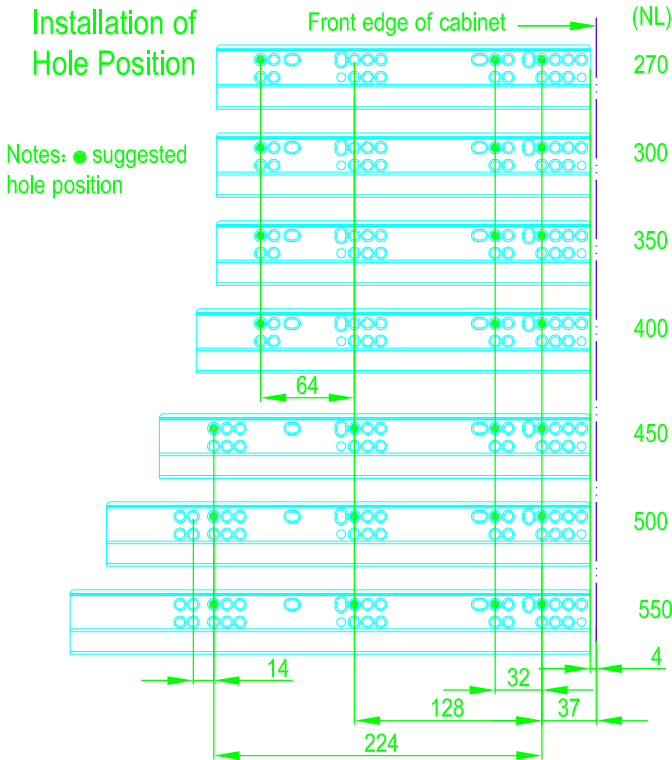


T	DW	For example
≤16	=CW-42 <sup>0</sup> <sub>-1.5</sub>	CW=564 and DW=522~523.5
18	=CW-46 <sup>0</sup> <sub>-1.5</sub>	CW=564 and DW=518~519.5

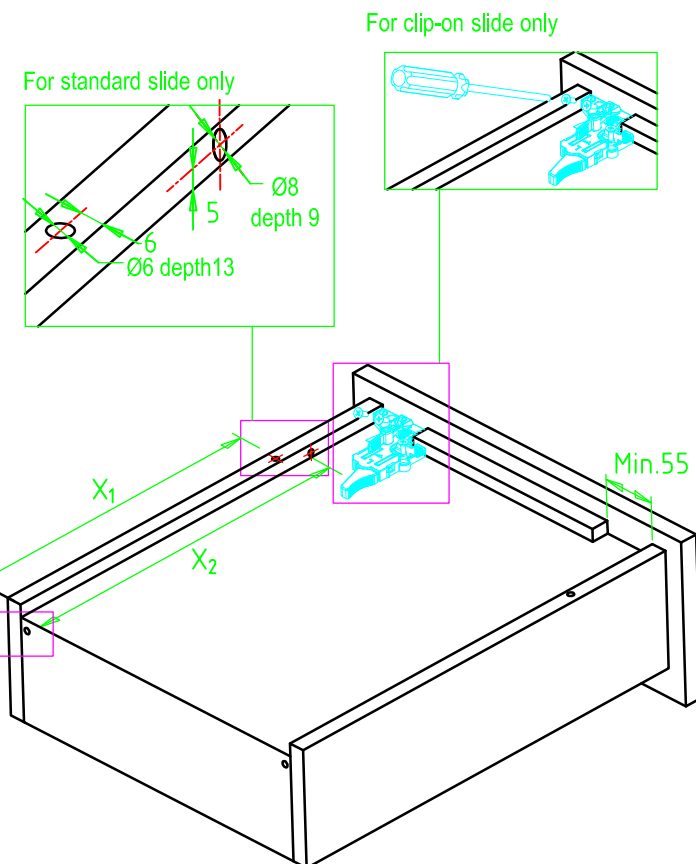
## Cabinet Drawing II



## Installation of Hole Position

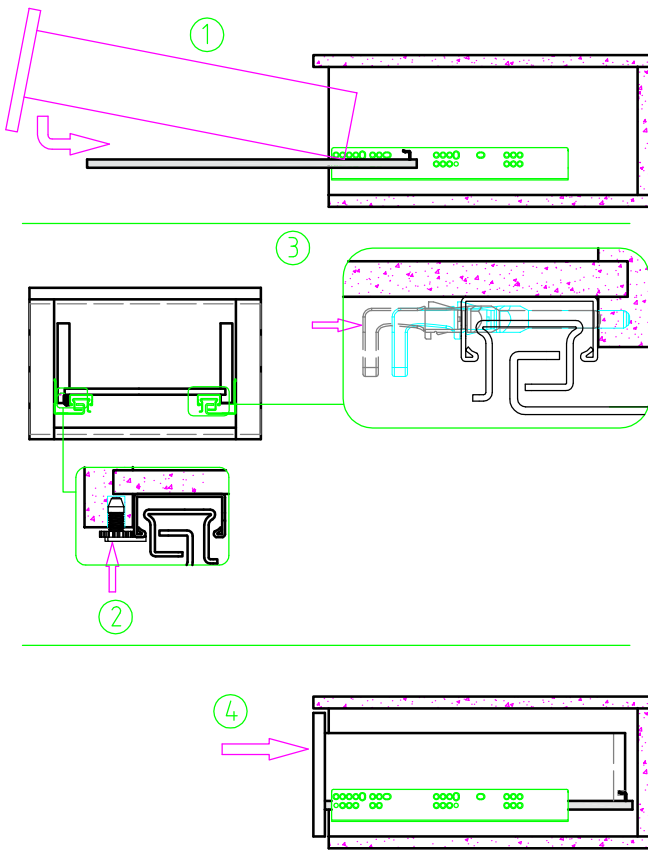


## Processing Drawing of Drawer

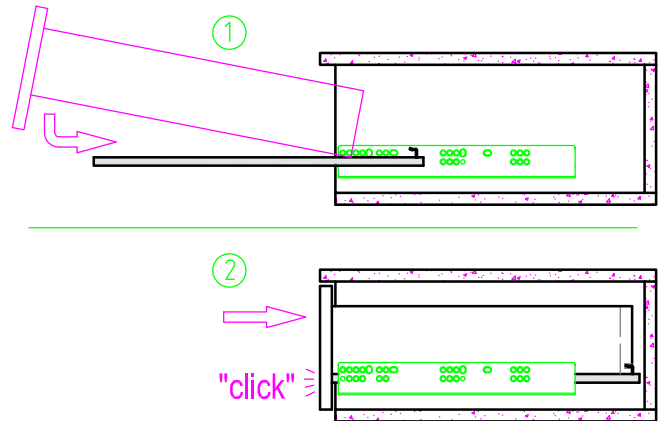


NL	X <sub>1</sub> (mm)	X <sub>2</sub> (mm)
250	205	225
270	205	248
300	230	275
350	275	320
400	300	376
450	335	421
500	360	466
550	405	511

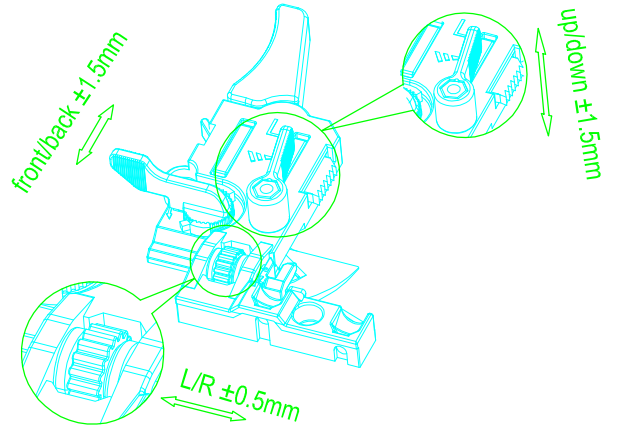
## Drawer Installation (Standard Slide)



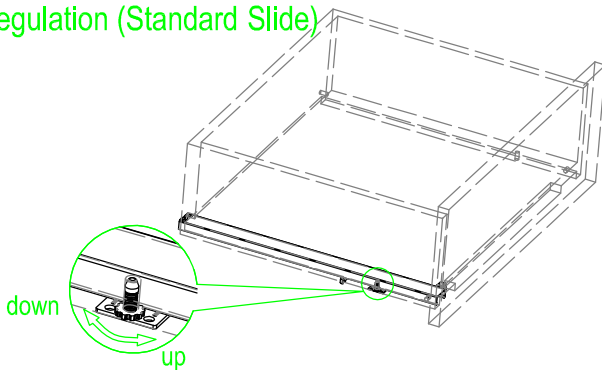
## Drawer Installation (Clip-on Slide)



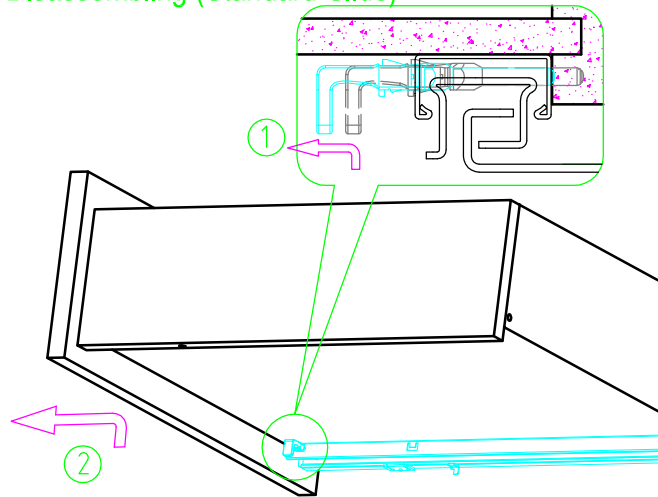
## Regulation (Clip-on Slide)



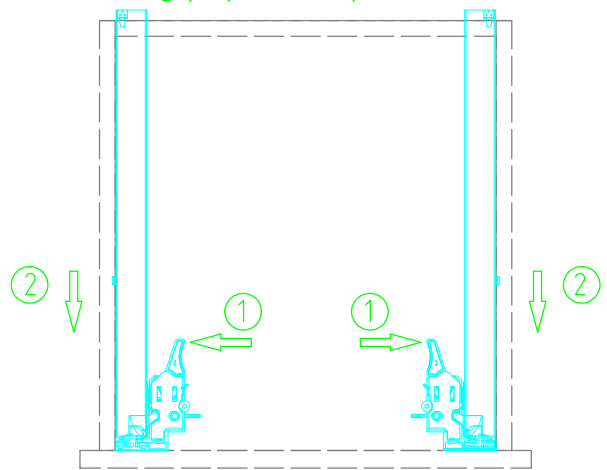
## Regulation (Standard Slide)



## Disassembling (Standard Slide)



## Disassembling (Clip-on Slide)



### Notes:

- a) Runner doesn't work steadily or pulse?  
Keep slides away from wood chips or other scraps during installation.
- b) Runner doesn't work smoothly?  
Make sure cabinet and drawer are up to the standard;  
make sure cabinet and drawer are rectangular;  
make sure slides at the same level;
- c) The clip-on function lost? Drawer can't close perfectly?  
Make sure the slide at the right position on the fore-and-aft direction;
- e) Drawer can't be disassembled?  
Make sure clip-on handle is open and locking pin is pull out.
- ※ f) Push open space is not enough?  
Make sure the cabinet and slide are horizontal.
- ※ g) Drawer can't push open?  
Make sure push-open gap is more than 4mm.

Notes: ※ for push-open concealed slide only.