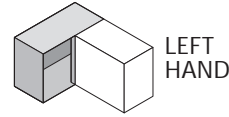


BLIND CORNER OPTIMISER PLUS - 900 & 1000mm LH* (IP2BCO9/10)

Assembly and fitting instructions

* These instructions show LH fitting, however product is universal.



inno+stor plus™

! **IMPORTANT - The unit has a maximum loading limit of 40kg. Load should be evenly distributed across all trays with maximum load capacity for each tray not exceeding 10kg. All fixings supplied must be used for installation. Do not attach door until Corner Optimiser has been fully assembled and fitted. Illustrations show 900 or 1000mm left handed base units.**

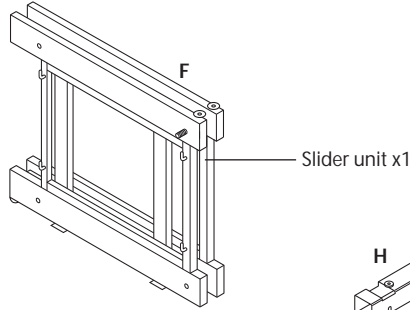
Parts A x12 3.5 x 16mm countersunk screw

B x6 M6 Nut

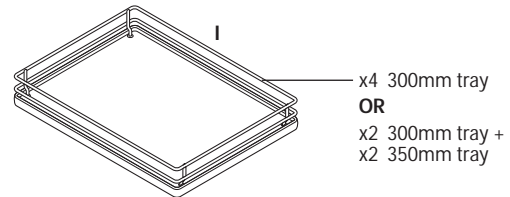
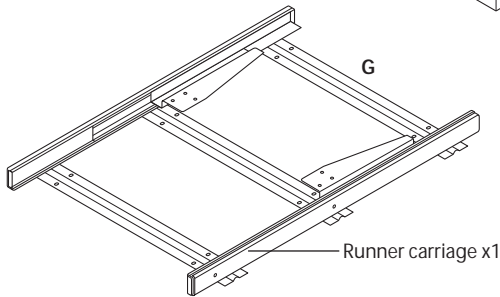
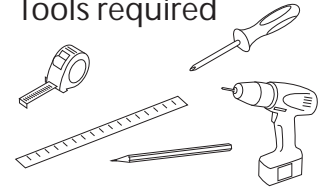
C x1 Spare roller

D x1 Spanner

E x2 Handle

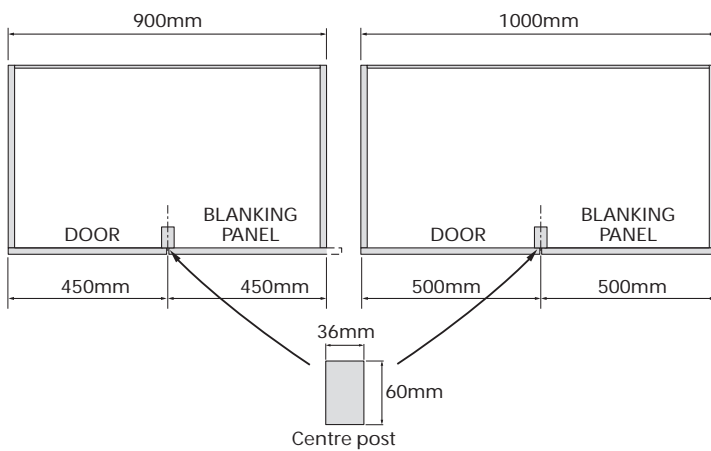


Tools required



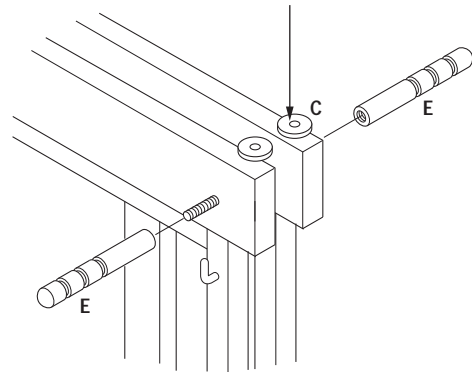
! Please ensure that all the above fittings are present before installation begins.

1 Base unit and door sizes.

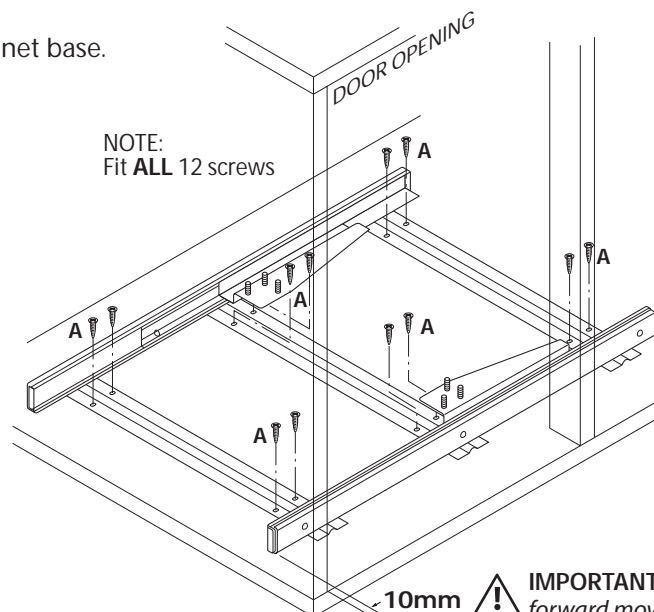
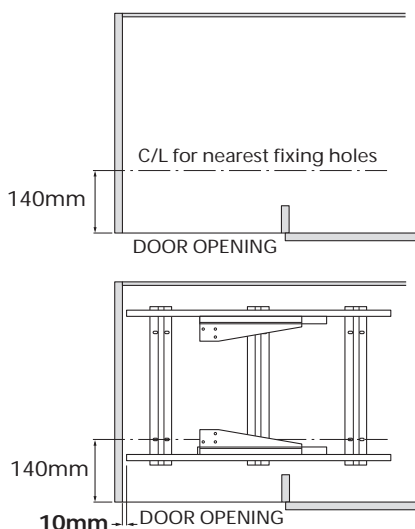


2 Fit 2 handles.

NOTE:
Replacement roller is supplied if damage occurs during installation.

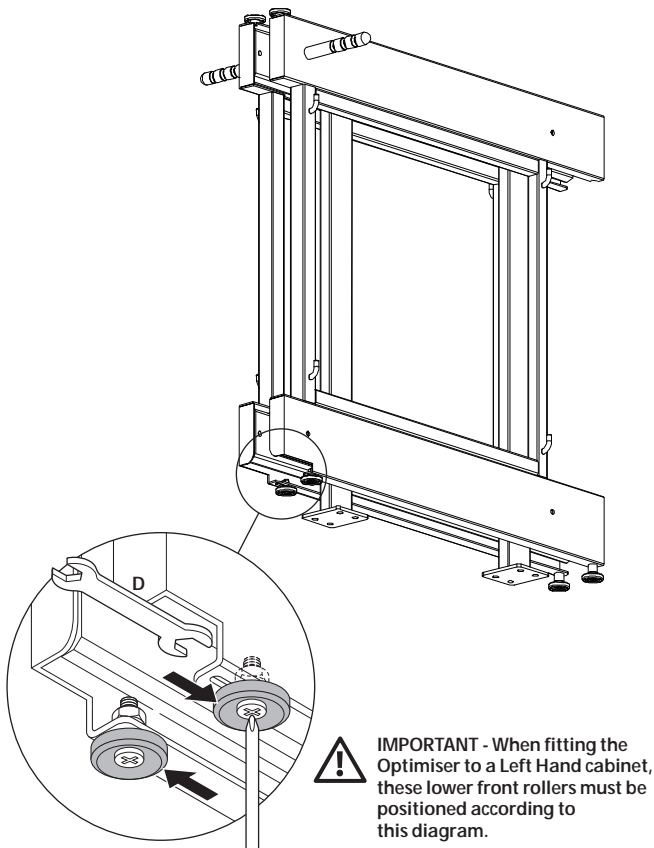


3 Locate and fit Optimiser runner carriage to cabinet base.

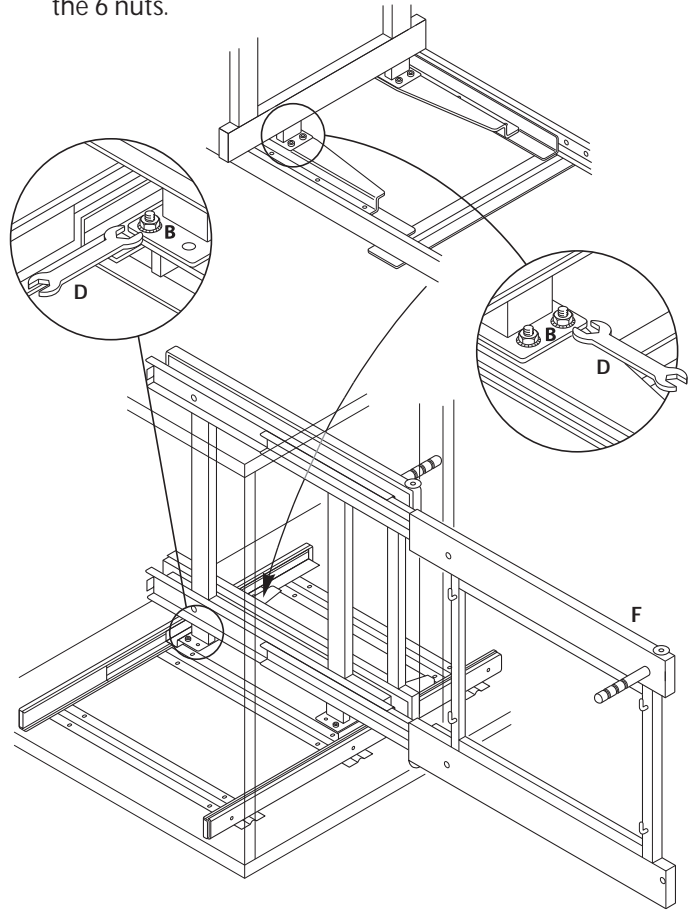


! **IMPORTANT - Gap allows free forward movement of trays**

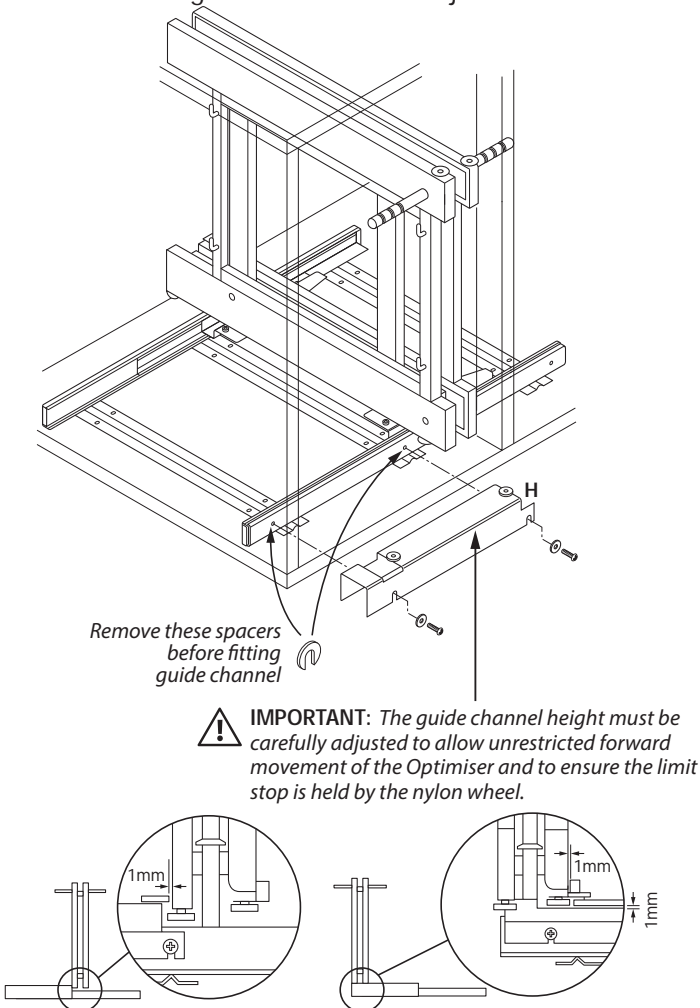
4 Position the two lower front rollers on the slider unit.



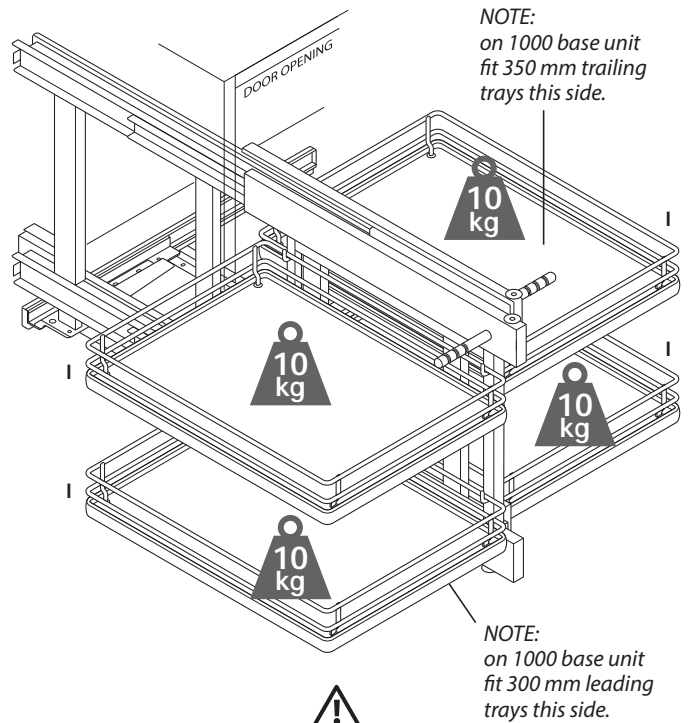
5 Lower slider unit onto runner carriage and attach the 6 nuts.



6 Push unit to far right and fit guide channel to left/front of runner carriage. See details if fine adjustment is needed.



Attach trays



! IMPORTANT - The unit has a maximum loading limit of 40kg. Load should be evenly distributed across all trays with maximum load capacity for each tray not exceeding 10kg.

Tray sizes

Base unit	Leading	Trailing
900	300	300
1000	300	350