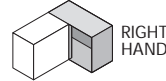


BLIND CORNER OPTIMISER PLUS - 800mm RH* (IP2BCO8)

Assembly and fitting instructions

* These instructions show RH fitting, however product is universal.



! **IMPORTANT - The unit has a maximum loading limit of 40kg. Load should be evenly distributed across all trays with maximum load capacity for each tray not exceeding 10kg. All fixings supplied must be used for installation. Do not attach door until Corner Optimiser has been fully assembled and fitted. Illustrations show 800mm right handed base units.**

Parts

- A** x12 3.5 x 16mm countersunk screw
- B** x6 M6 Nut
- C** x1 Spare roller
- D** x1 Spanner
- E** x2 Handle

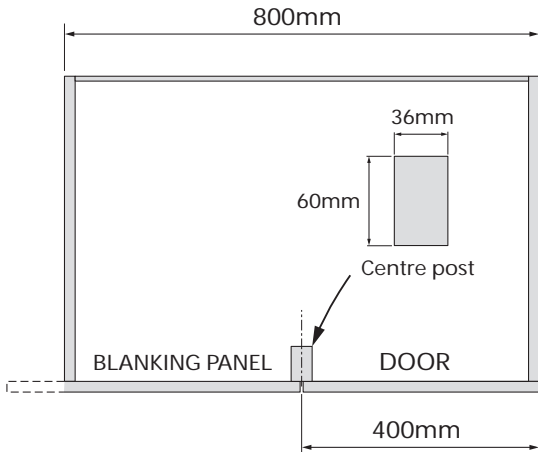
Tools required

- Tape measure
- Ruler
- Pencil
- Drill
- Screwdriver

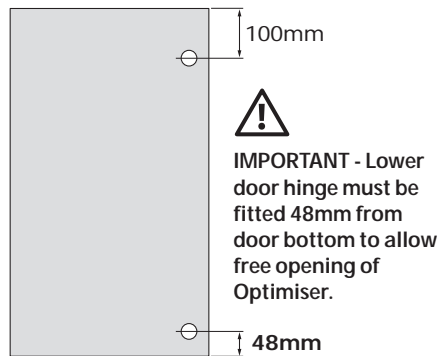
Labels: Slider unit x1, Guide channel x1, Runner carriage x1, x4 280mm tray

! Please ensure that all the above fittings are present before installation begins.

1 Fit 36 x 60mm centre post centrally. Use 400mm door.

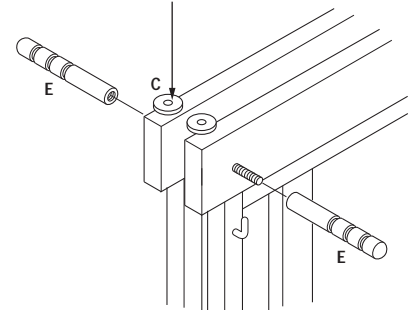


2 Drilling door

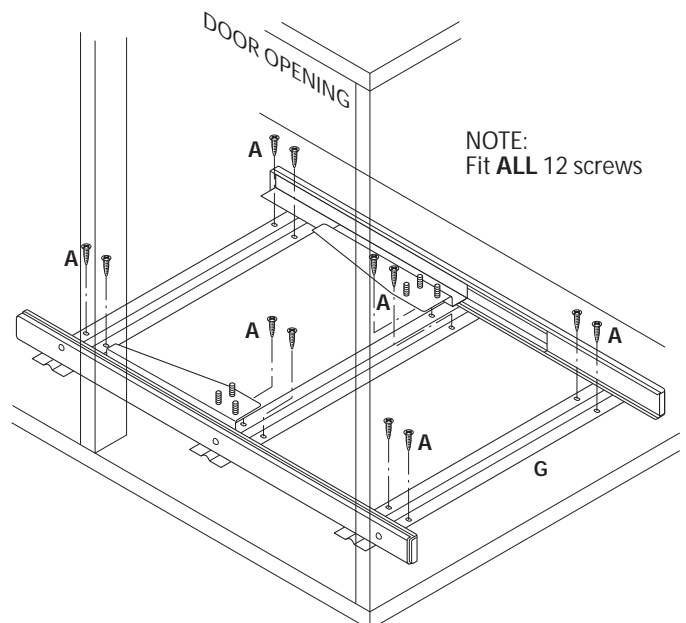
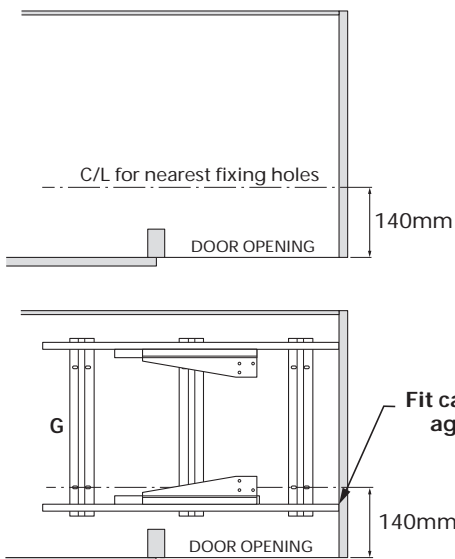


3 Fit 2 handles.

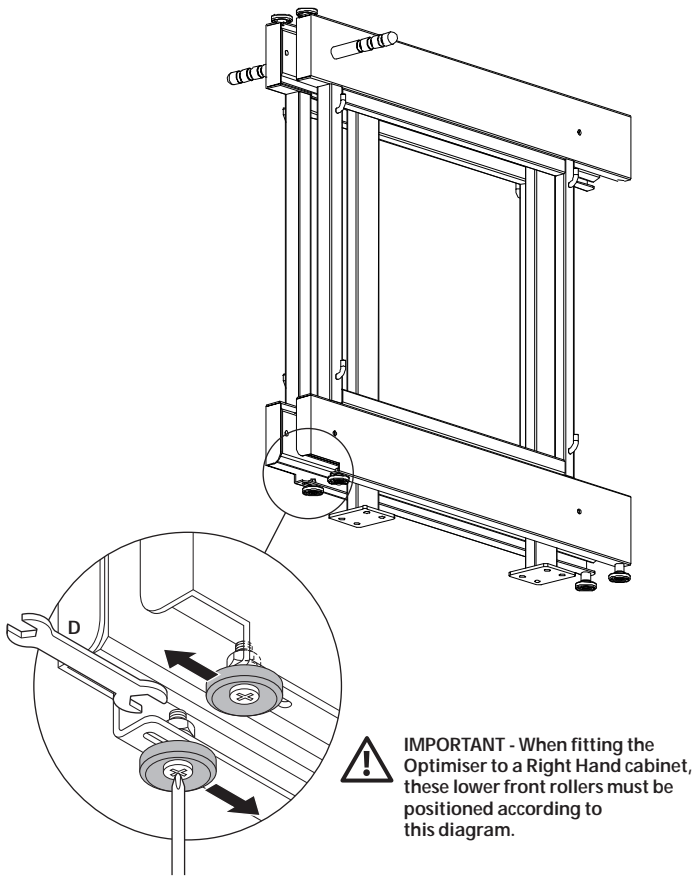
NOTE: Replacement roller is supplied if damage occurs during installation.



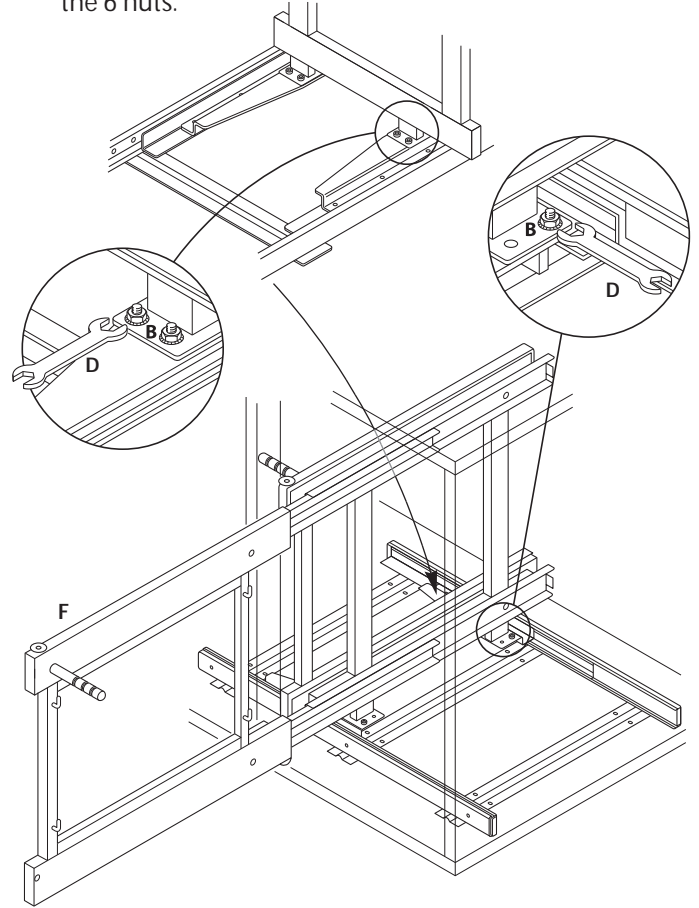
4 Locate and fit Optimiser runner carriage to cabinet base.



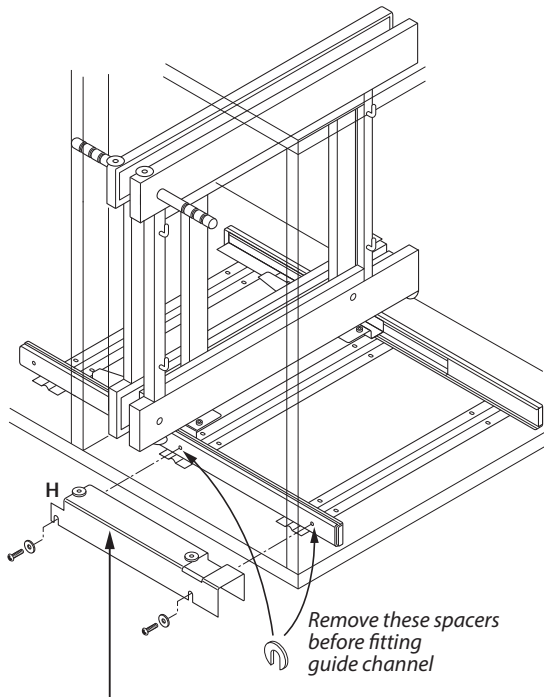
5 Position the two lower front rollers on the slider unit.



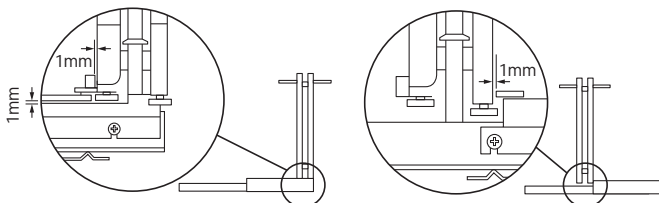
6 Lower slider unit onto runner carriage and attach the 6 nuts.



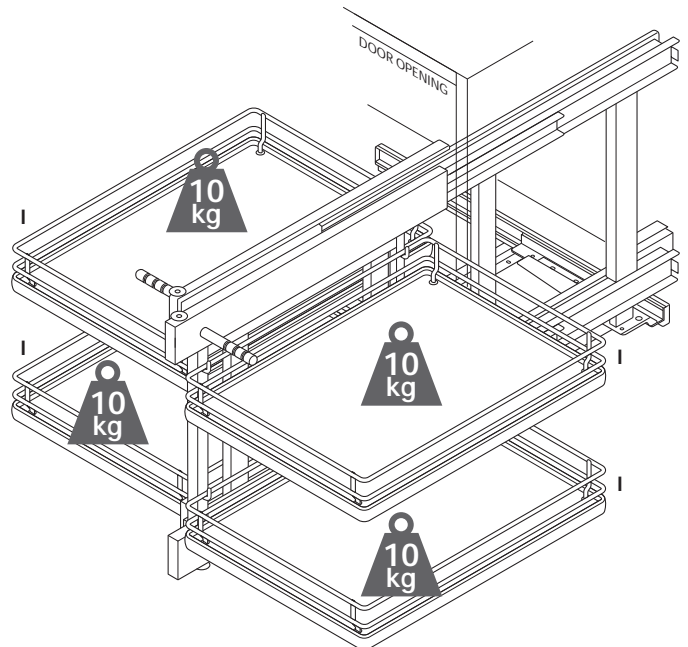
7 Push unit to far left and fit guide channel to right/front of runner carriage. See details if fine adjustment is needed.



! IMPORTANT: The guide channel height must be carefully adjusted to allow unrestricted forward movement of the Optimiser and to ensure the limit stop is held by the nylon wheel.



8 Attach trays



! IMPORTANT - The unit has a maximum loading limit of 40kg. Load should be evenly distributed across all trays with maximum load capacity for each tray not exceeding 10kg.