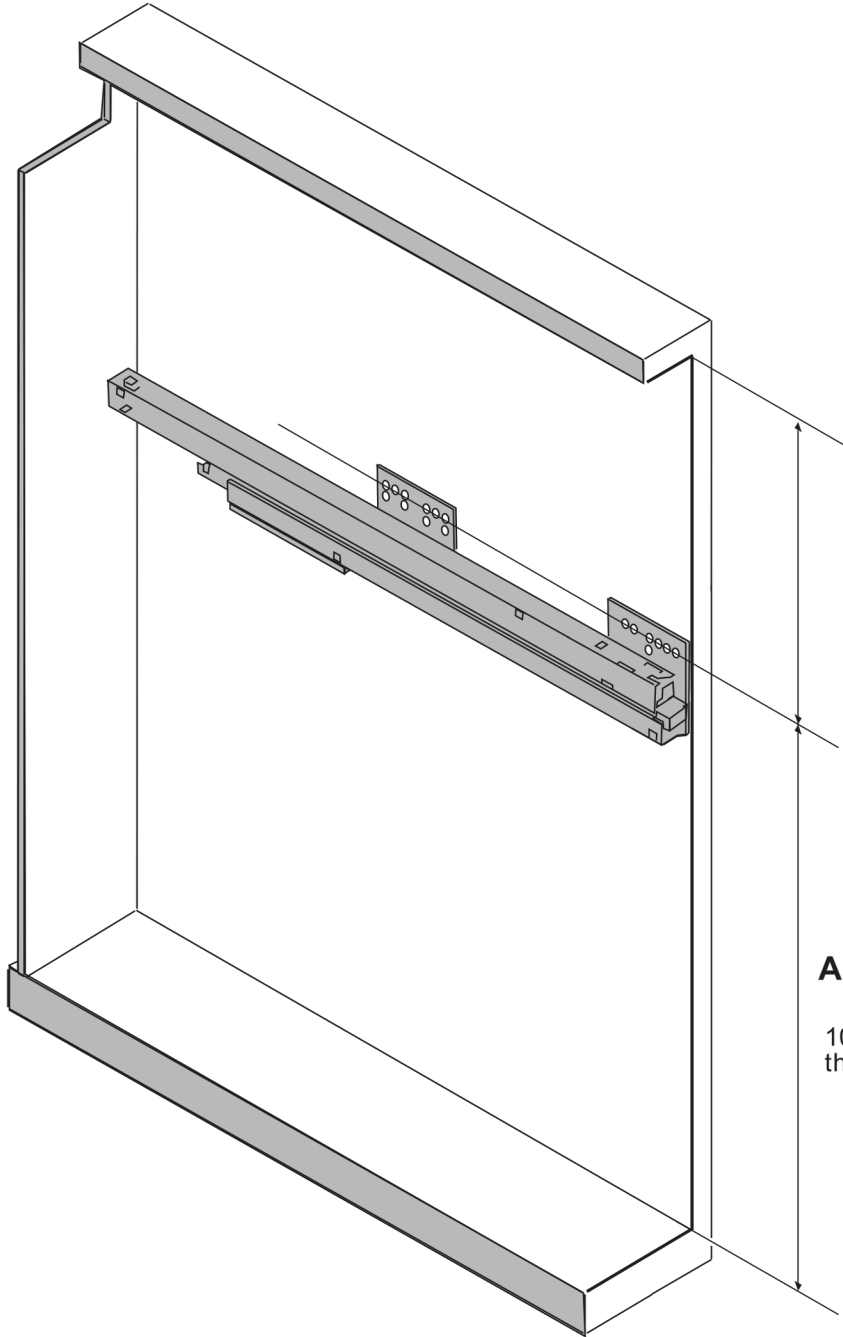


RiexND30

Riex ND30 carcass drawer runner position

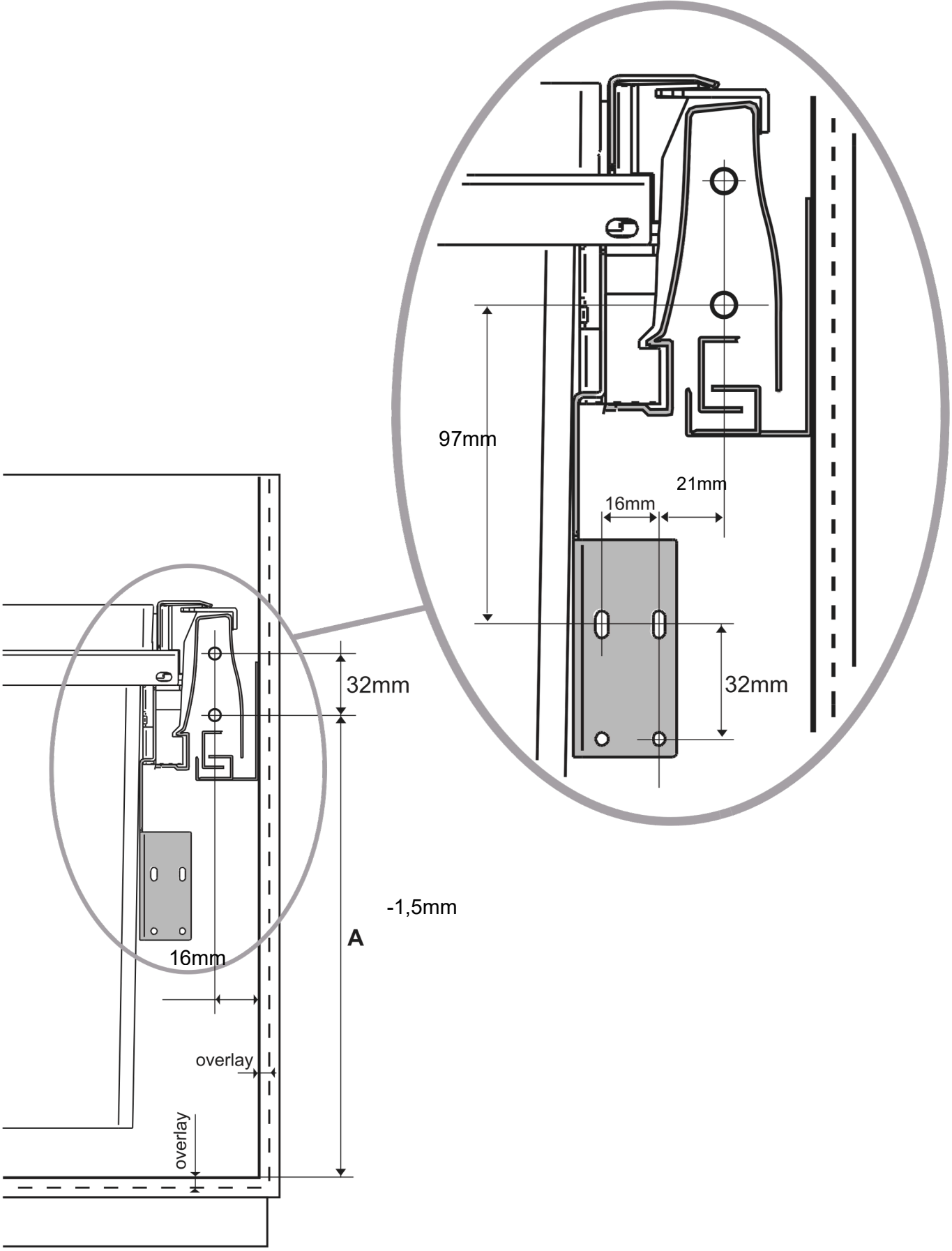


min. 73mm

A min. 520mm

10 mm clearance has been allowed for the internal bottom of the carcass.

RiexND30 drawer front drilling position



97mm

21mm

16mm

32mm

32mm

-1,5mm

A

16mm

overlay

overlay

overlay

