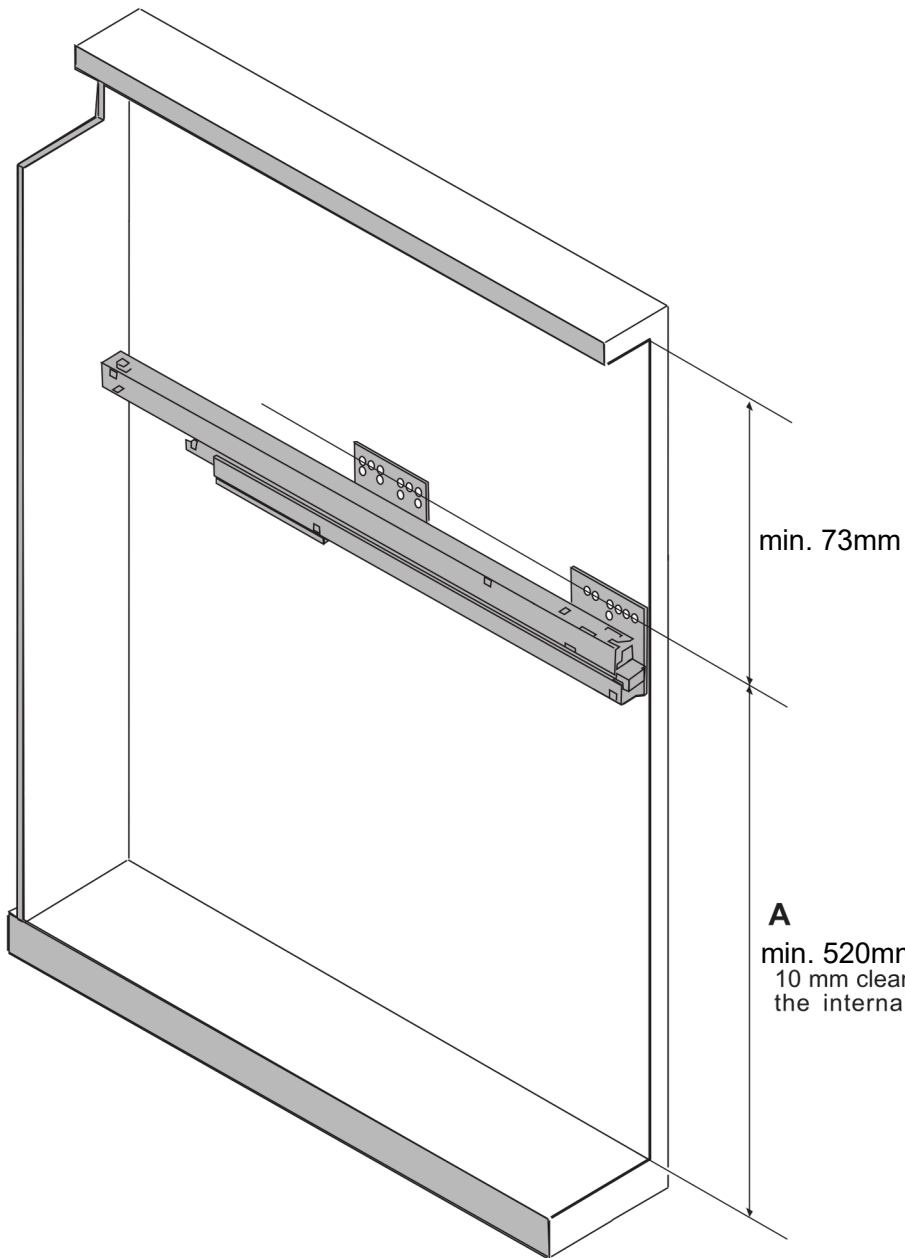


# RiexND30

Riex ND30 carcass drawer runner position



RiexND30 drawer front drilling position

