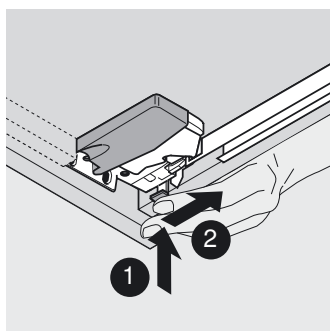


Locking device

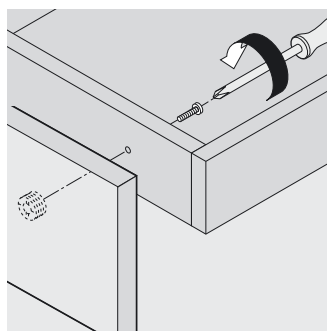
Simply insert and hey presto!

The TANDEM locking device makes drawer insertion and removal child's play, saving you precious assembly time. And your customers can remove drawers for cleaning just as easily. The locking device also serves as a quick release mechanism.



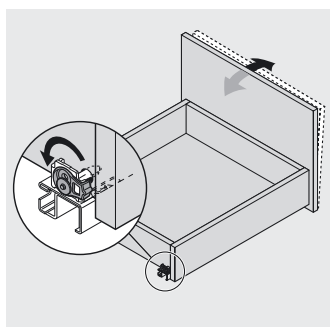
Height adjustment

Use the tool-free height adjustment feature to produce uniform gap alignment. Height adjustment of up to +3 mm is possible.



Side adjustment

Thanks to the optional front adjustment bracket, you can easily attach the front and make side and height adjustments – for a precise gap alignment.



Front tilt adjustment for full extensions

The integrated front tilt adjustment feature allows you to align the front with the front edge of the cabinet – fast, easy and tool-free.