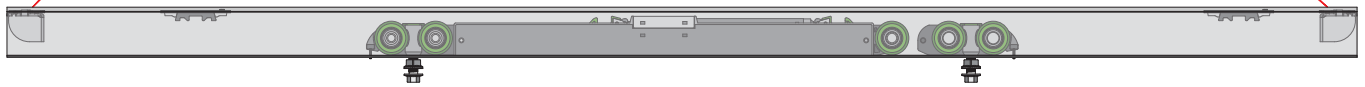
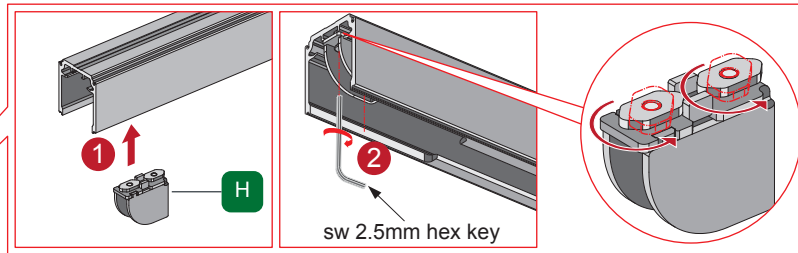
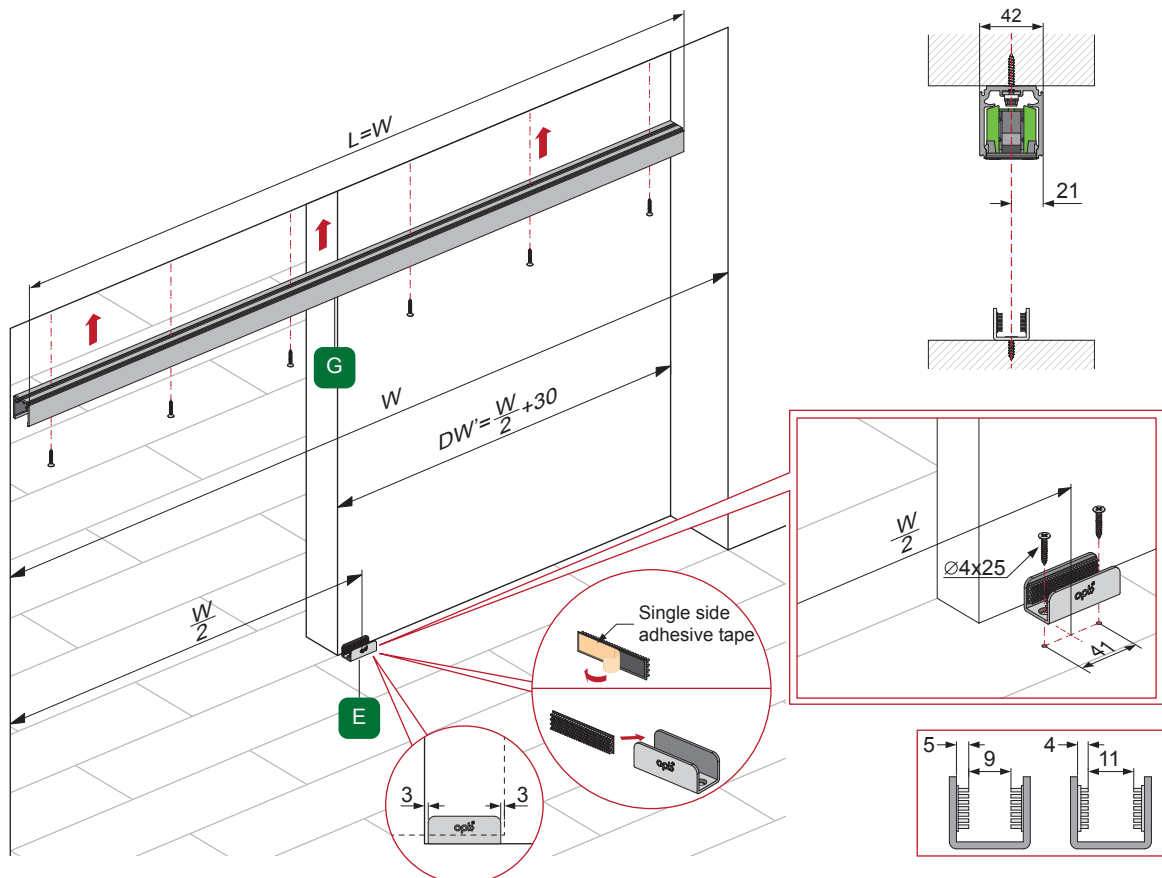


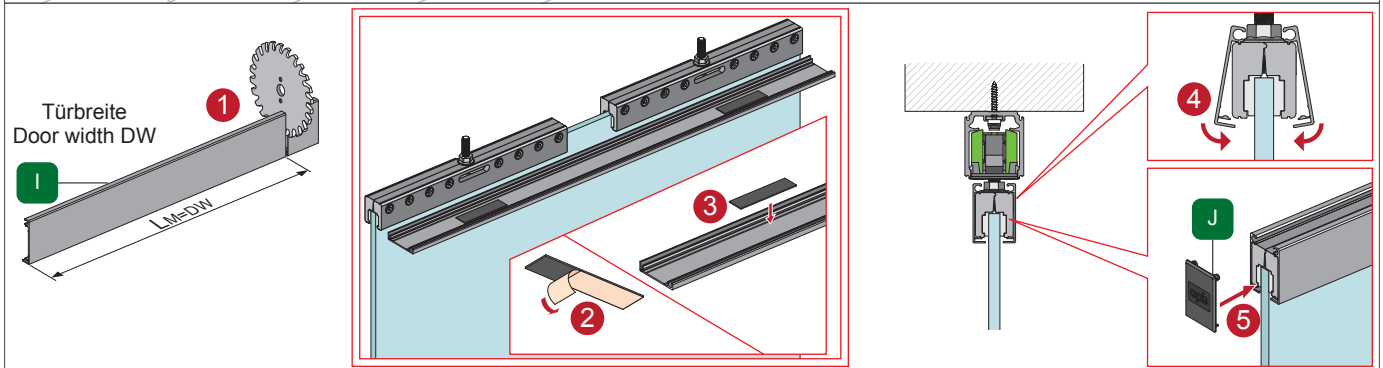
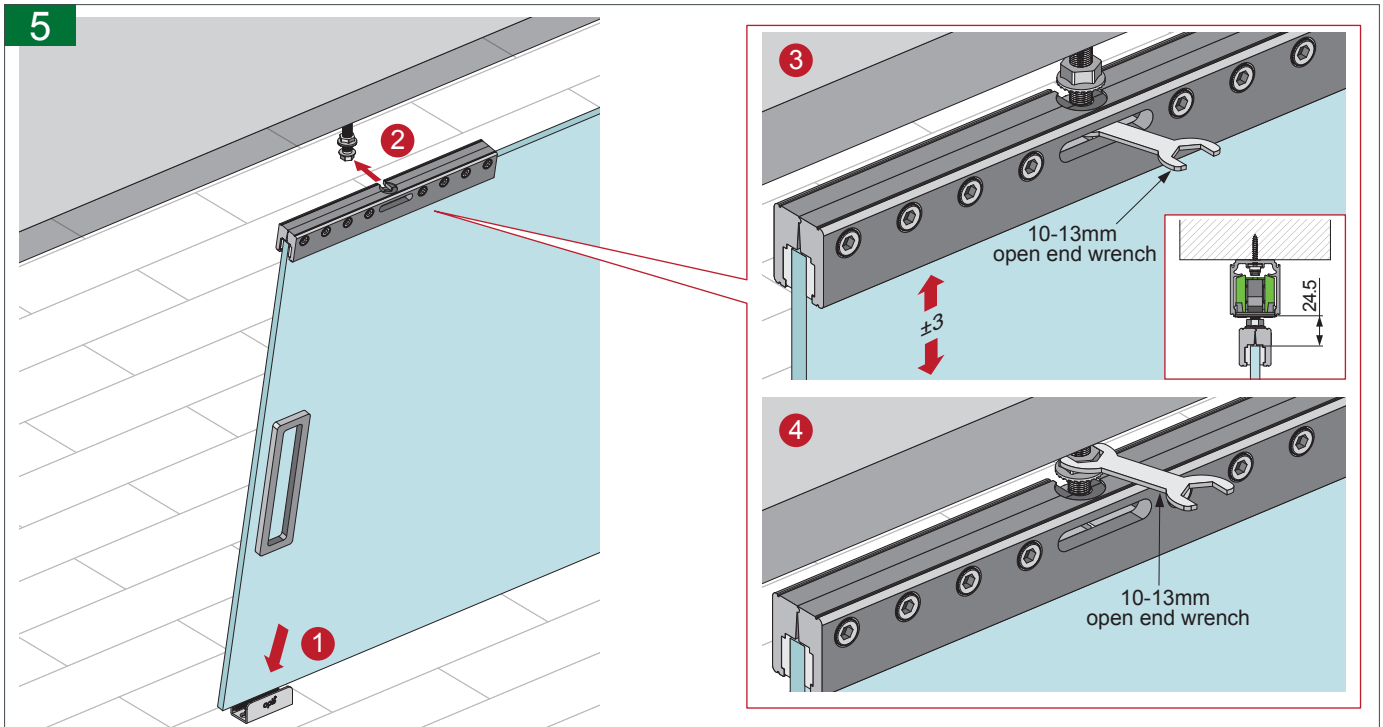
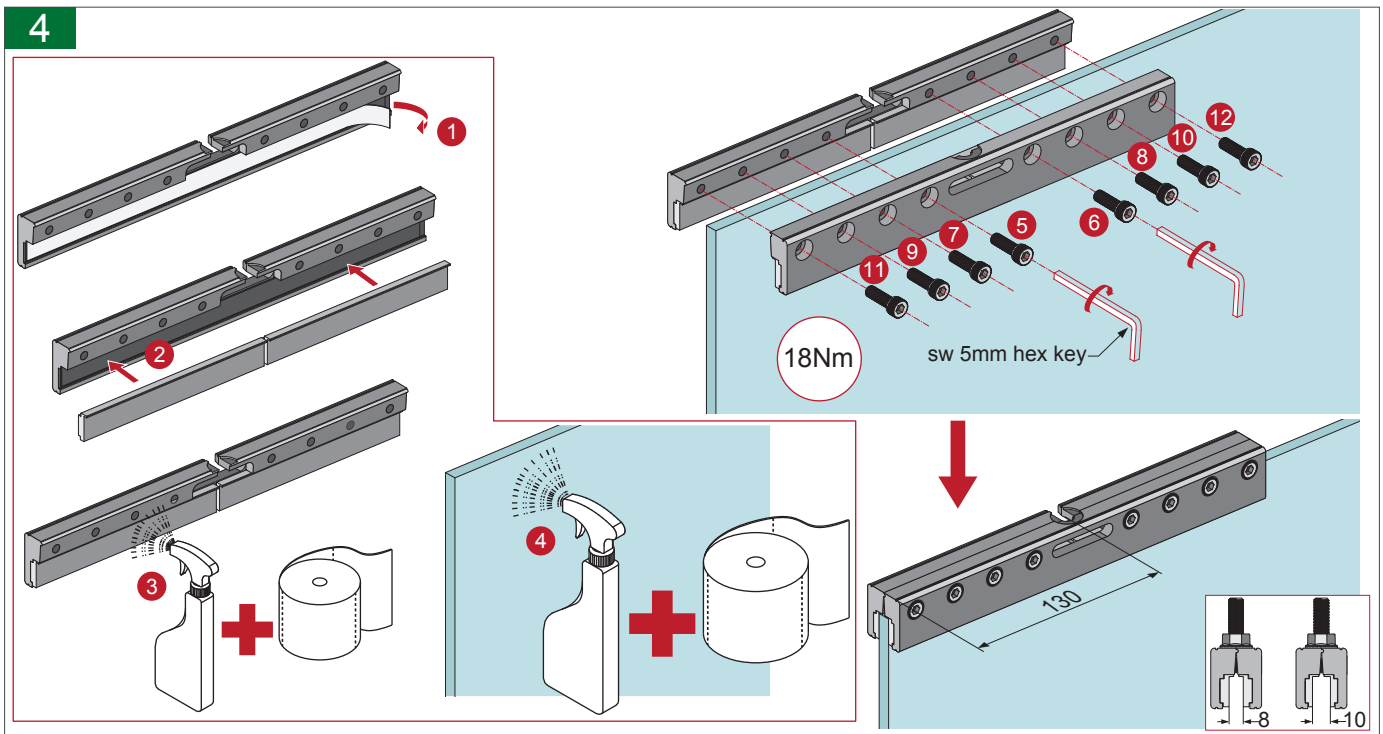
2

Fix the stoppers to both sides of the track



3





6



First adjust the activator,
then fix it with the safety screw!

